



Service Manual

Freestanding Cooling

Double Door

WRN 32/R/WH

Model Version	WRN 32/R/WH 8564 673 80000	Page
	Technical data	2
	Spare part list	3
	Exploded view	4 - 7
	Circuit and Wiring diagram	8

Technical data

Dimensions

Height	167	cm
Width	58	cm
Depth	61	cm

Capacity

Total		
gross	320	l
net	365	l

Cooling		
gross	236	l
net	195	l

Freezing		
gross	84	l
net	70	l

Electrical connection

Voltage	110	V
Frequency	60	Hz

Refrigerant

Type	R 134 a	
Quantity	130	g

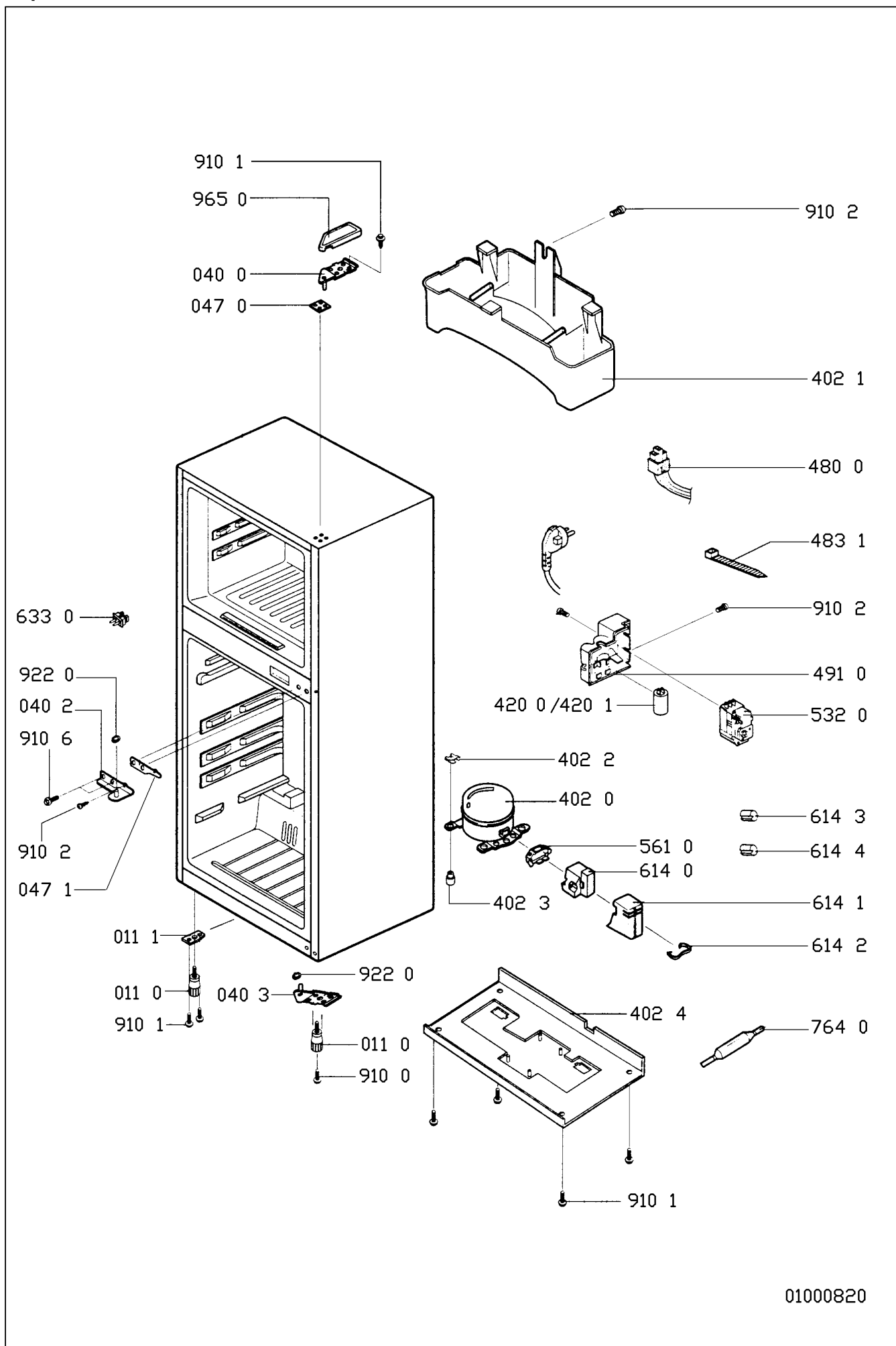
Spare part list

Model WRN 32/R/WH
Service No. 856467380000
Version 856467380000

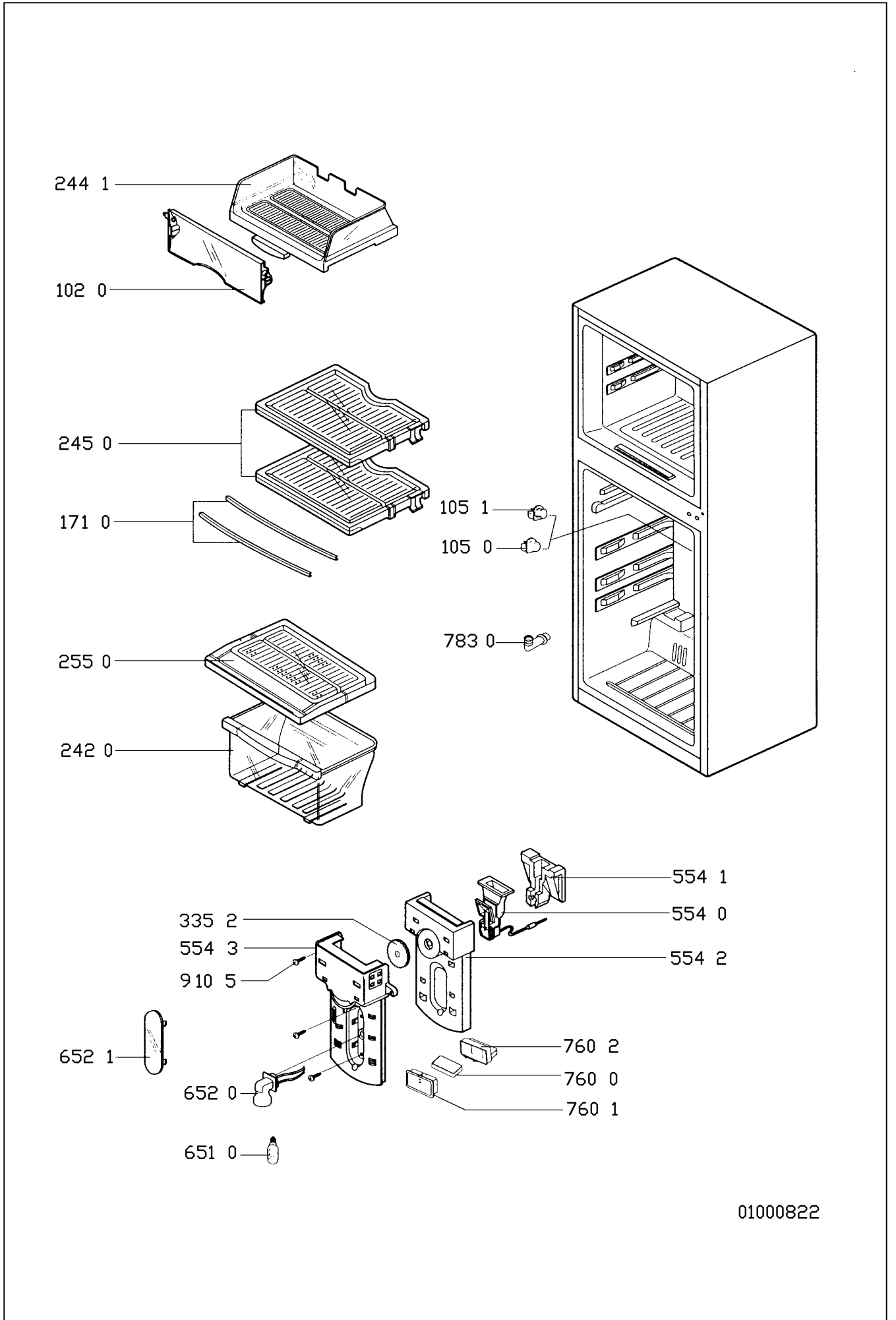
Pos. No.	12NC Code	Description
011 0	4819 910 00028	Foot
011 1	4819 910 00031	Holder
040 0	4819 910 00023	Hinge,upper
040 2	4819 910 00025	Hinge,middle
040 3	4819 910 00022	Hinge,lower
044 0	4819 910 00026	Spring
045 0	4819 910 00085	Cover
045 1	4819 910 00088	Plate,name
047 0	4819 910 00065	Spacer
047 1	4819 910 00144	Spacer
086 0	4819 910 00091	Clip
101 0	4819 910 00165	Door,freezer
102 0	4819 910 00135	Cover
104 0	4819 910 00166	Door,refriger.
105 0	4819 910 00062	Grommet
105 1	4819 910 00061	Grommet
105 3	4819 910 00156	Stop,door
105 5	4819 910 00154	Stop,door
105 6	4819 910 00155	Stop,door
152 0	4819 910 00143	Door,dairy
152 1	4819 910 00142	Holder,bottles
152 2	4819 910 00139	Door,dairy
152 3	4819 910 00141	Door,dairy
152 4	4819 910 00138	Rack,egg
154 0	4819 910 00095	Holder,bottles
155 0	4819 910 00153	Holder, eggs
156 0	4819 910 00087	Tray icecube
156 1	4819 910 00128	Tray icecube
156 2	4819 910 00148	Tray icecube
156 3	4819 910 00151	Tray icecube
170 0	4819 910 00045	Cover
171 0	4819 910 00145	Trim
242 0	4819 910 00149	Drawer
244 0	4819 910 00083	Grid
244 1	4819 910 00147	Tray
245 0	4819 910 00152	Grid
255 0	4819 910 00132	Crisper cover
335 0	4819 910 00146	Knob
335 2	4819 910 00174	Knob
402 0	4819 910 00123	Compressor 110v
402 1	4819 910 00086	Cup,thaw water
402 2	4819 910 00075	Clamp
402 3	4819 910 00058	Grommet
402 4	4819 910 00094	Bracket
420 0	4819 910 00124	Capacitor 110v
420 1	4819 910 00119	Capacitor 110v
440 0	4819 910 00116	Motor 110v-127v
440 1	4819 910 00003	Fan wheel
440 2	4819 910 00059	Grommet
440 3	4819 910 00041	Cover
440 5	4819 910 00049	Cover
440 7	4819 910 00048	Holder
451 0	4819 910 00168	Element defrost 110v
451 1	4819 910 00043	Cover
480 0	4819 910 00121	Cable 110v-127v

Pos. No.	12NC Code	Description
483 1	4819 910 00035	Staple
491 0	4819 910 00081	Connect.block
532 0	4819 910 00122	Timer 100v-127v
554 0	4819 910 00079	Thermostat
554 1	4819 910 00096	Spacer
554 2	4819 910 00157	Spacer
554 3	4819 910 00133	Cover,thermost.
561 0	4819 910 00167	Protect,motor 110v
566 0	4819 910 00014	Thermostat
566 1	4819 910 00009	Connect.cable
566 2	4819 910 00013	Cut out
566 3	4819 910 00015	Thermostat
566 4	4819 910 00008	Thermostat
614 0	4819 910 00118	Relay 110v
614 1	4819 910 00044	Cover
614 2	4819 910 00074	Clamp
614 3	4819 910 00063	Grommet
614 4	4819 910 00064	Grommet
633 0	4819 910 00005	Switch
651 0	4819 910 00169	Lamp 110v-130v
652 0	4819 910 00017	Holder,lamp
652 1	4819 910 00053	Cover
745 4	4819 910 00137	Cover
746 0	4819 910 00127	Evaporator
746 1	4819 910 00134	Cover
746 3	4819 910 00131	Cover
746 5	4819 910 00136	Cover
760 0	4819 910 00001	Filter
760 1	4819 910 00042	Cover
760 2	4819 910 00082	Container
764 0	4819 910 00098	Dryer
783 0	4819 910 00099	Tube
910 0	4819 910 00105	Screw
910 1	4819 910 00019	Screw
910 2	4819 910 00107	Screw
910 3	4819 910 00108	Screw
910 4	4819 910 00109	Screw
910 5	4819 910 00111	Screw
910 6	4819 910 00024	Screw
910 9	4819 910 00163	Screw
922 0	4819 910 00021	Washer
930 0	4819 910 00027	Spring
965 0	4819 910 00046	Cover,hinge

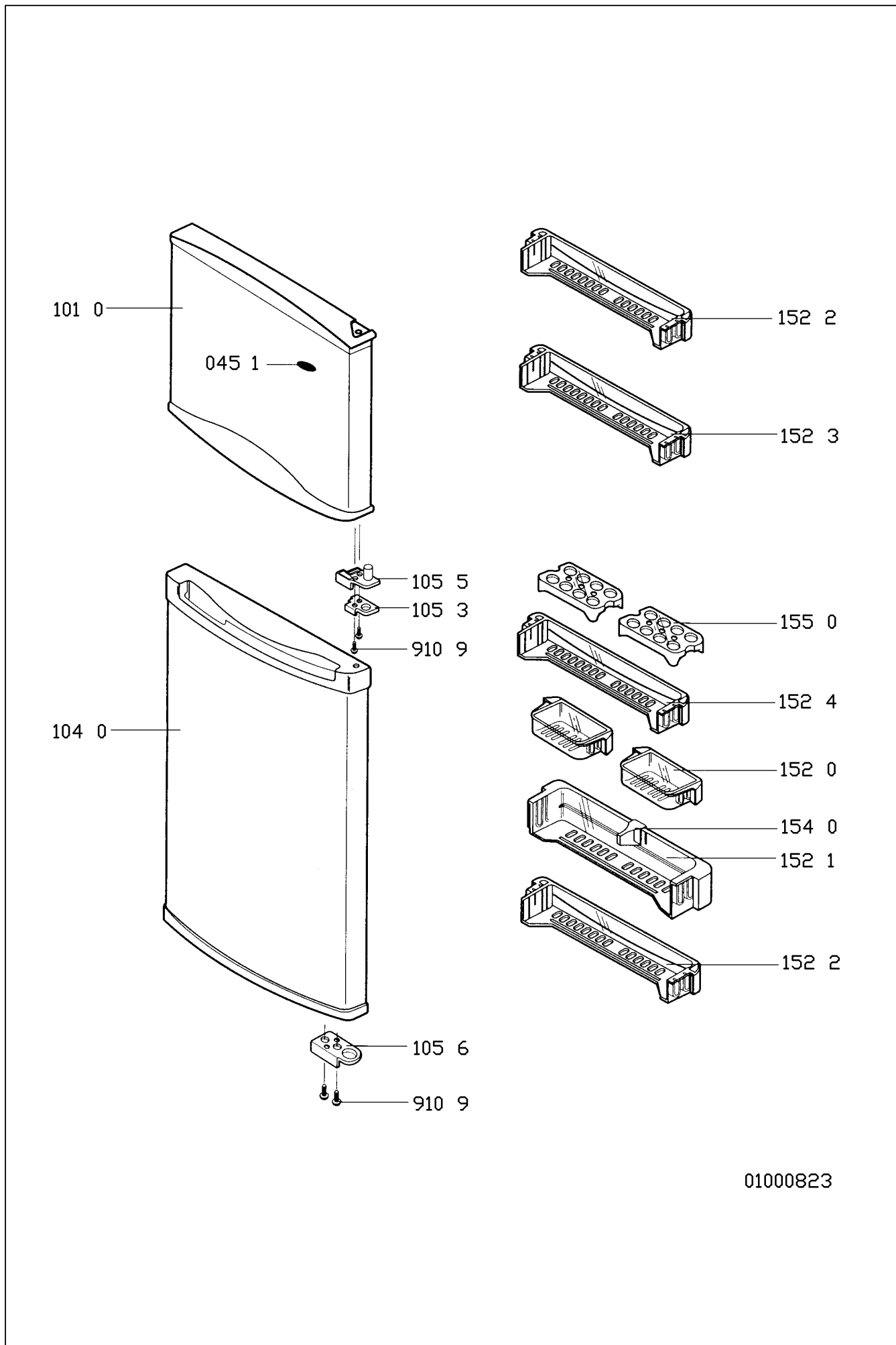
Exploded view



Exploded view

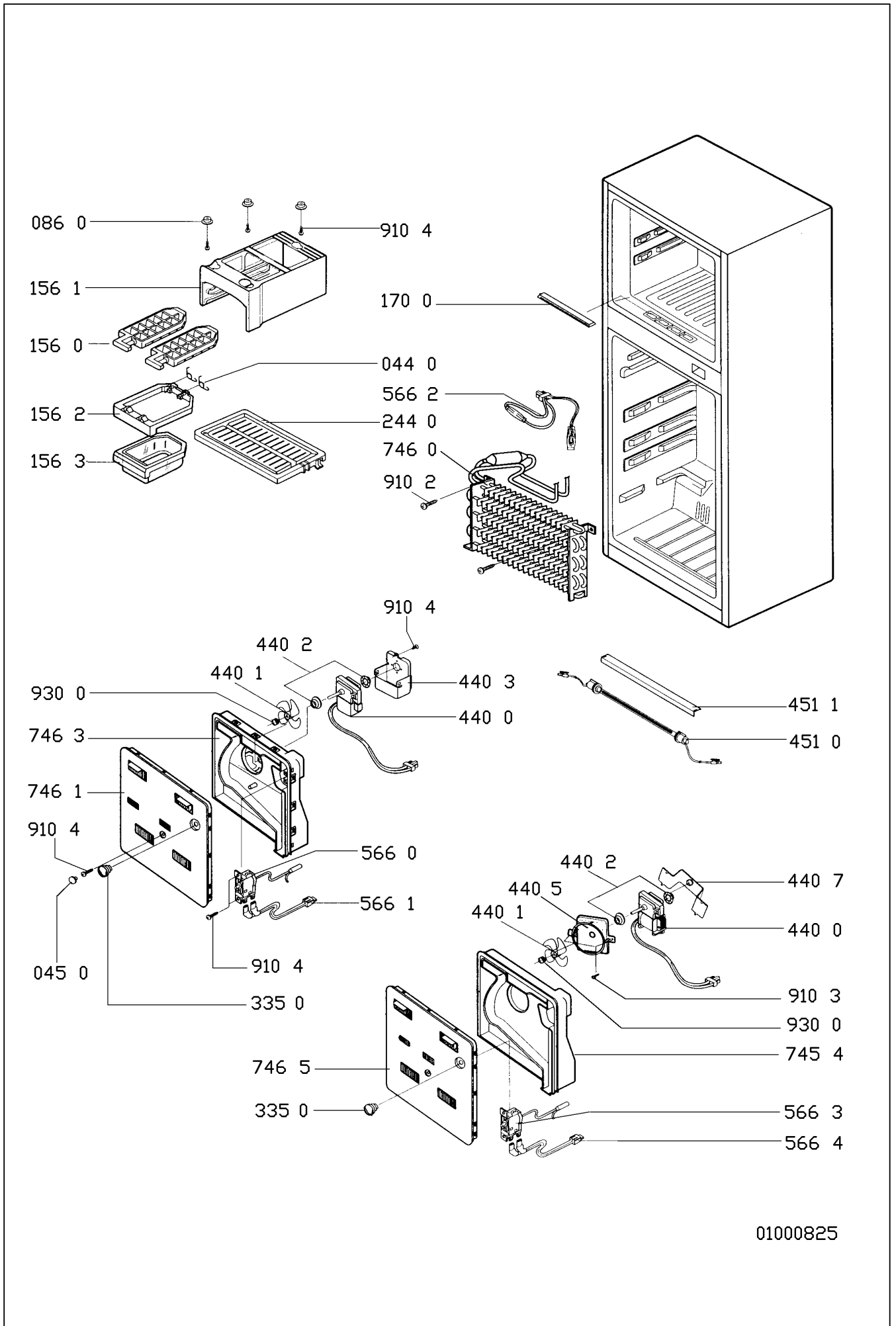


Exploded view

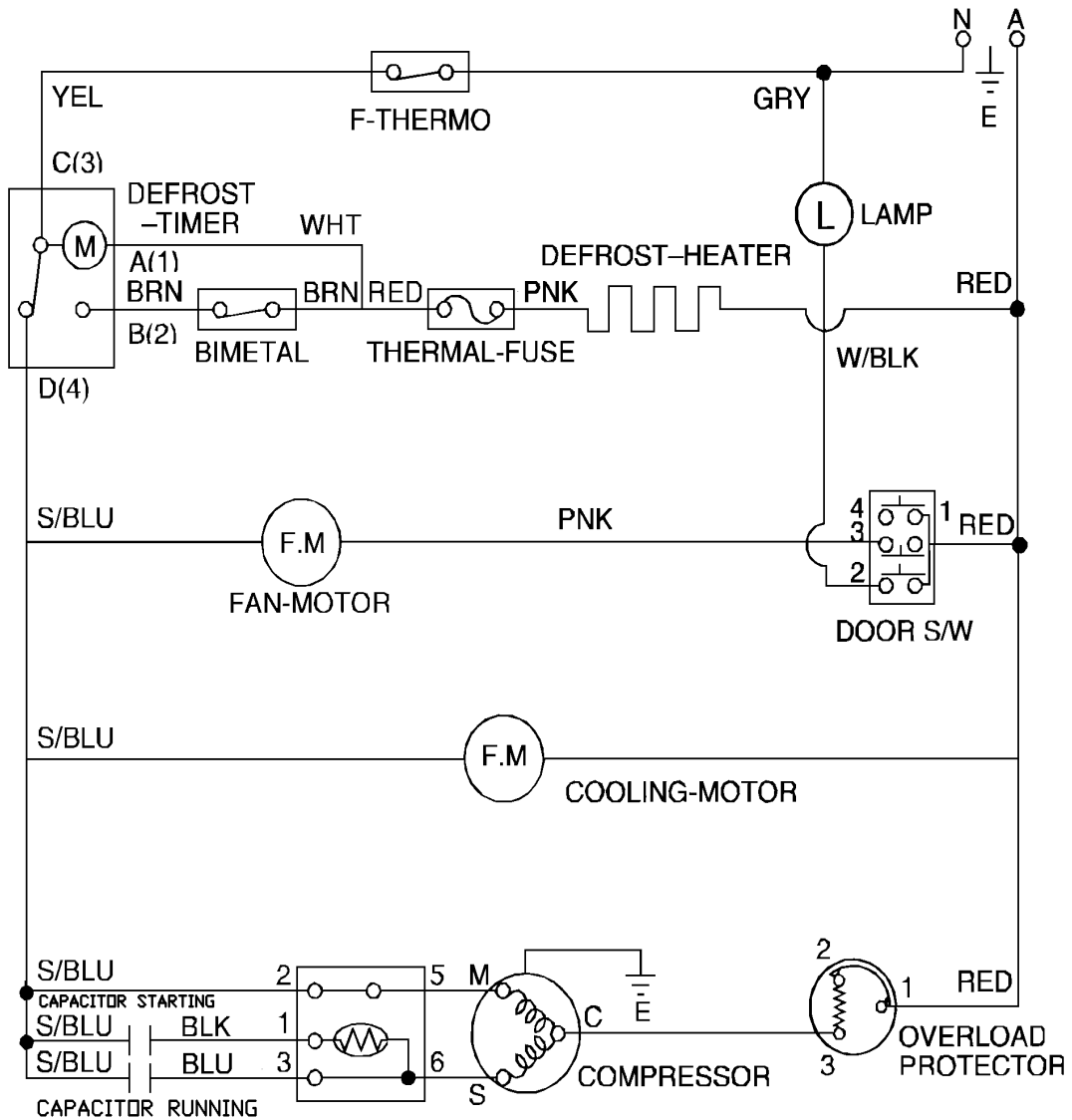


01000823

Exploded view



Circuit and Wiring diagram



110 - 127 V / 60 Hz

- GRY - GRAY
- PNK - PINK
- BRN - BROWN
- WHT - WHITE
- YEL - YELLOW
- RED - RED
- S/BLU - SKY BLUE
- BLU - BLUE
- BLK - BLACK
- W/BLK - WHITE/ BLACK
- ORG - ORANGE
- PRP - PURPLE